

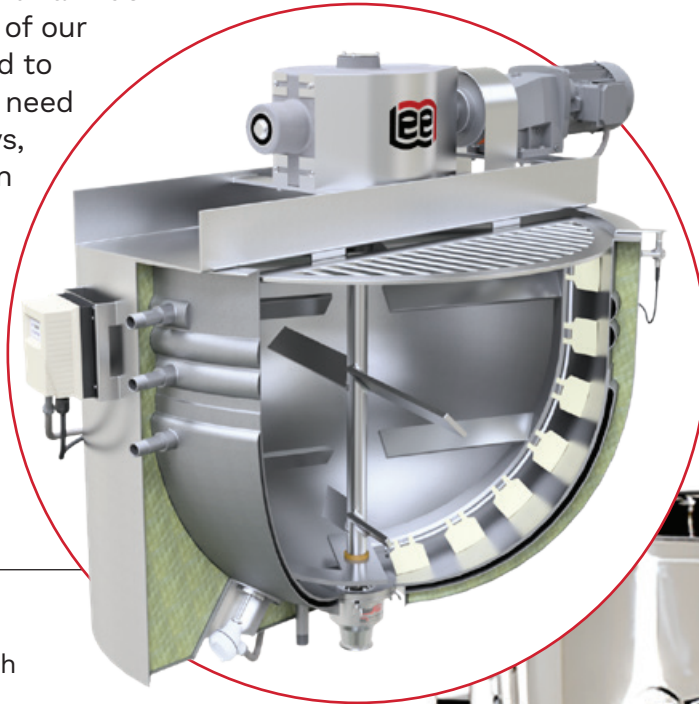
Kettles



LEE INDUSTRIES
Processing Perfection.™

P.O. Box 688 | Philipsburg, PA 16866
P. (814) 342-0461 | F. (814) 342-5660

Our kettles have a unique hemispherical bottom design for optimal mixing and a jacket designed for heating and cooling. All kettles are built to ASME specifications in various jacket and internal pressure ranges. Lee kettles are also available with a wide variety of features and accessories. All of our kettles can be custom built or modified to meet your specifications. Whether you need to accommodate pre-existing doorways, room sizes, or other limitations, we can tailor our products to your facility and your specific process.



Kettle Standard Features

All Lee Kettle Styles Feature:

- Traditional high-polished sanitary finish
- Sanitary flanged rims
- All stainless steel product contact parts

Lee Kettle Outlet Features:

- Exclusive Lee designs permit shorter outlet fitting
- Sanitary Acme threaded or tri-clamp ferrule provided on kettles
- Optional Lee fluid transfer sanitary ball valve outlet

Lee Kettle Support Features:

- Stainless steel pipe legs with fixed floor flanges
- Optional portable designs

Lee Kettle Trunnion Style Features:

- Free-pouring spout
- Tilt handle on CD style
- Hydraulic tilting on CHD
- Worm gear tilting available on CWD



KETTLES

Kettle Options & Accessories

While the style of kettle you choose will have its own set of features, you also have the opportunity to choose from several other options.

Instrumentation

Our temperature sensing or control instruments can ensure you yield the desired results in heat transfer vessels.

We offer:

- A wide variety of temperature sensing control and recording instruments
- Probe-type sensors
- Stainless steel flush mounted sensors for scraper blade agitator installations

Covers

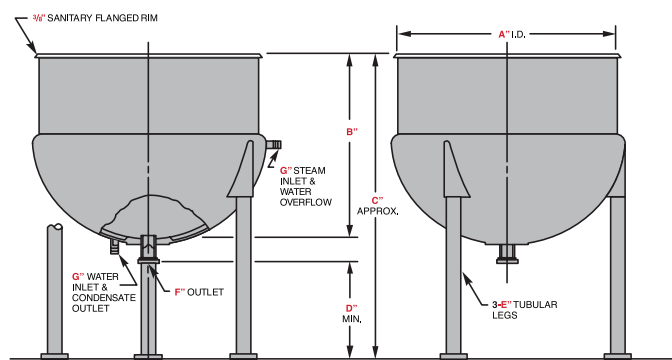
We offer various styles of sanitary covers for all types of Lee vessels.

- Two- or three-piece covers, either lift-off or sanitary hinged
- Furnished with special fittings or openings, if necessary
- Removable or welded dished top heads for vacuum/pressure applications

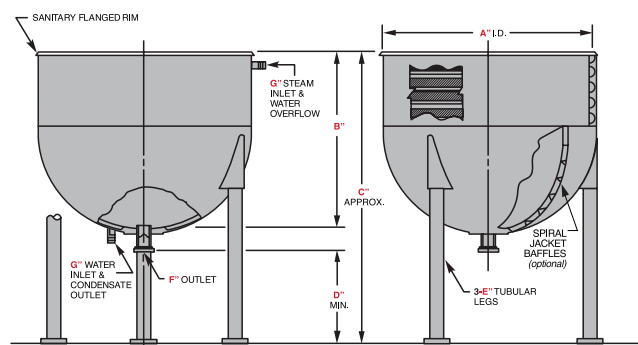
Electropolishing and Finishing

We recognize the demand for high-quality, durable, ultra-sanitary finishes. We provide world-class mechanical finishes and can also provide electropolish finishes on all of our parts and products.

Style D - Super Jacket



Style D - Super Jacket with Uniflow Coil

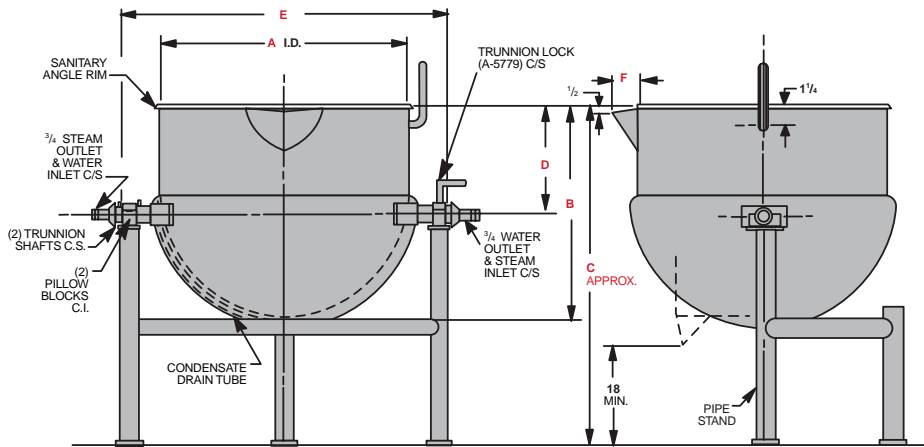


CAPACITY	5	10	15	20	25	30	40	50	60	75	80	
DIMENSIONS	A	16 ³ / ₄	17 ⁵ / ₈	18 ³ / ₄	22	23	23	25 ¹ / ₂	29 ¹ / ₂	32	32	36
	B	10	14	16 ¹ / ₂	17	20 ¹ / ₄	22	23 ¹ / ₂	23	24	27 ¹ / ₂	25
	C	26 ¹ / ₈	30 ¹ / ₈	32 ⁵ / ₈	33 ¹ / ₈	36 ³ / ₈	38 ¹ / ₈	39 ⁵ / ₈	39 ¹ / ₈	40 ¹ / ₈	43 ⁵ / ₈	41 ¹ / ₈
	D	15	15	15	15	15	15	15	15	15	15	15
	E	1 ¹ / ₂	1 ¹ / ₂	1 ¹ / ₂	1 ¹ / ₂	1 ¹ / ₂	1 ¹ / ₂	1 ¹ / ₂	1 ¹ / ₂	1 ¹ / ₂	1 ¹ / ₂	2
	F	1 ¹ / ₂	1 ¹ / ₂	1 ¹ / ₂	1 ¹ / ₂	1 ¹ / ₂	1 ¹ / ₂	1 ¹ / ₂	1 ¹ / ₂	1 ¹ / ₂	1 ¹ / ₂	2
	G	3/4	3/4	3/4	3/4	3/4	3/4	3/4	3/4	3/4	3/4	1

CAPACITY	100	125	150	200	250	300	400	500	600	750	1000	
DIMENSIONS	A	36	38	42	48	52	54	58	62	66	72	
	B	30	34	34 ¹ / ₂	36	39	42	47	51	54	62	72
	C	46 ¹ / ₈	50 ¹ / ₈	50 ⁵ / ₈	52 ¹ / ₈	55 ¹ / ₈	58 ¹ / ₈	63 ¹ / ₈	67 ¹ / ₈	70 ¹ / ₈	78 ¹ / ₈	88 ¹ / ₈
	D	15	15	15	15	15	15	15	15	15	15	15
	E	2	2	3	3	3	3	3	3	3	3	3
	F	2	2	2	2	2	2	2	2	3	3	3
	G	1	1	1 ¹ / ₂	1 ¹ / ₂	1 ¹ / ₂	1 ¹ / ₂	1 ¹ / ₂	1 ¹ / ₂	2	2	2

- The Style "D" super jacket has a large annular space on the hemisphere, accommodating both steam and water for your heating and cooling needs.
- Optional internal spiral baffles incorporated into the standard jacket design promote directional flow of heating or cooling medium.
- Optional Lee Uniflow Coil Jacket on the kettle straight side provides additional heat transfer surface area while providing uniform thermal flow, eliminating hot or cold spots.

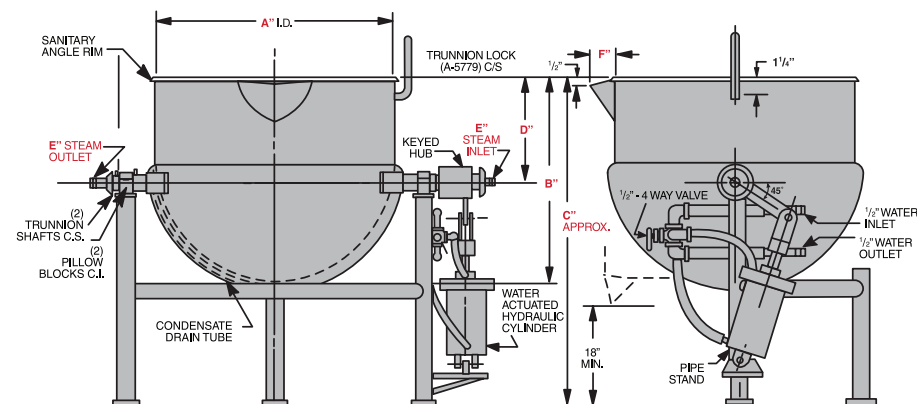
Style CD - Super Jacket Trunnion Mounted Kettle with Manual Tilt



- Trunnion mounted and pouring lip for tilt-pouring
- Outlet ferrule or valve may be added to bottom for draining
- Lee Industries kettles standard features

CAPACITY		5	10	15	20
DIMENSIONS	A	16 ³ / ₄	17 ⁵ / ₈	18 ³ / ₄	22
	B	10	14	16 ¹ / ₂	17
	C	32 ³ / ₄	37	39 ¹ / ₂	41 ¹ / ₈
	D	4 ⁵ / ₈	8 ³ / ₁₆	10 ⁵ / ₈	9 ⁷ / ₈
	E	26 ¹ / ₈	27	28 ¹ / ₈	31 ³ / ₈
	F	2 ¹ / ₄	2 ¹ / ₄	2 ¹ / ₄	2 ¹ / ₄

Style CHD - Super Jacket Trunnion Mounted Kettle with Hydraulic Cylinder



- Identical kettle design to the manual tilt model
- Hydraulic tilted trunnion kettles available in capacities ranging from 25 to 500 gallons
- Optional worm gear tilting available up to certain sizes (model CWD)

CAPACITY		25	30	40	50	60	75	80	100	125	150	200	250	300
DIMENSIONS	A	23	23	25 ¹ / ₂	29 ¹ / ₂	32	32	36	36	38	42	48	52	54
	B	20 ¹ / ₄	22	23 ¹ / ₂	23	24	27 ¹ / ₂	25	30	34	34 ¹ / ₂	36	39	42
	C	44	46	47 ¹ / ₂	48	49 ¹ / ₂	53	50 ¹ / ₂	55 ¹ / ₂	60	61 ¹ / ₂	64	67	70
	D	12 ¹ / ₂	14	14 ¹ / ₄	12 ³ / ₄	12 ¹ / ₂	16	11 ¹ / ₂	16 ¹ / ₂	19 ¹ / ₂	19	17 ¹ / ₂	18 ¹ / ₂	20 ¹ / ₂
	E	3/4	3/4	3/4	3/4	3/4	3/4	3/4	3/4	3/4	3/4	1	1	1
	F	2 ³ / ₄	3	3	3	3 ¹ / ₂	3 ¹ / ₂	3 ¹ / ₂	3 ¹ / ₂	4	4	5	5	5